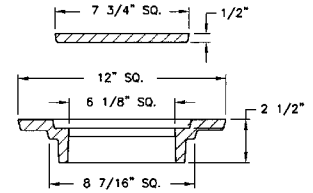


8350 SQUARE FRAME & COVER

Extra heavy duty
 Bolted assembly recommended
 Due to small size, 9" x 9" loading
 not applicable



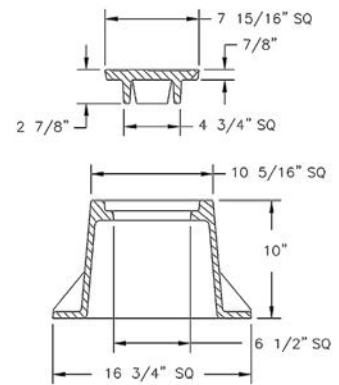
Options
 Recessed stainless steel hex
 bolts or special security bolts
 Special lettered covers

MATERIAL SPECIFICATIONS

Frame - Gray Iron ASTM A48, Class 35B
 Cover - Gray Iron ASTM A48, Class 35B

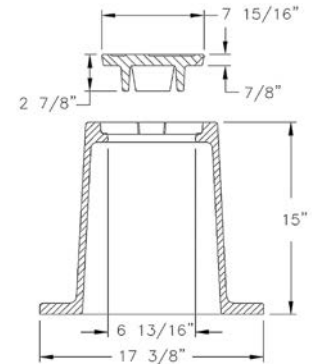
8360 MONUMENT BOX

Heavy duty
 Special lettered covers
 Adjustment risers available
 15" height frame — 8365



8365 MONUMENT BOX

Heavy duty
 Special lettered covers
 Adjustment risers available
 10" height frame — 8360



Supplied By:



877-903-7246

www.trenchdrainsupply.com